

SIMPO Cabinets are pre-wired and easy to connect. Designed to maximize the power of your system. Easily paralleled to expand the power of your system.



Cabinets Paralleled



Maximize Power



Pre-wired



Easy Connection



SIMPO Cabinet 6



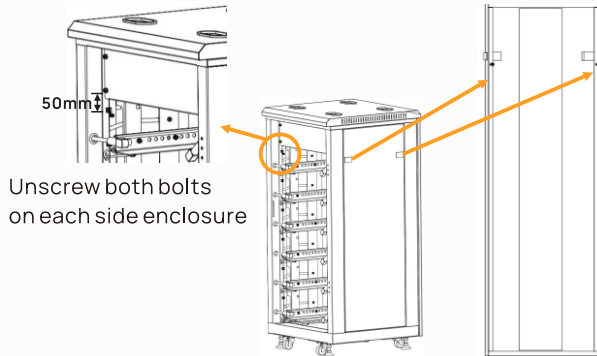
SIMPO Cabinet 10

## Specifications of SIMPO Cabinets

	SIMPO Cabinet 6	SIMPO Cabinet 10
<b>General Data</b>		
Dimension(W x D x H)	620 x 600 x 1270mm	620 x 600 x 1890mm
Fixation	4 wheels for easy moving and 4 feet for load-bearing	
Max. Qty of modules	6 (30kWh)	10 (50kWh)
Max. continuous current (busbar)	600A (with M10 nut bolting)	1000A (with M12 nut, bolting)
Battery Interconnection	Pre-wired quick connector with 4AWGUL cable	
DC circuit breaker	None	
Cable entry	Top entry	
IP rating	IP 20	IP 20
Weight	90kg	120kg

## SIMPO Cabinet 6

### Unscrew the bolts

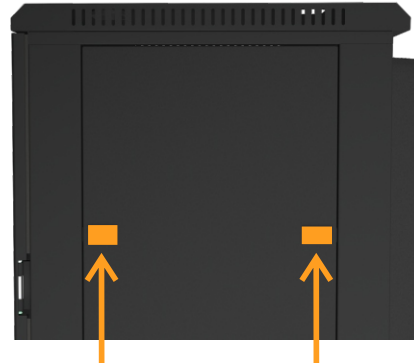


Unscrew both bolts on each side enclosure

Unscrew the bolts on both sides inside Cabinet 6 (50mm under the covering board)

1

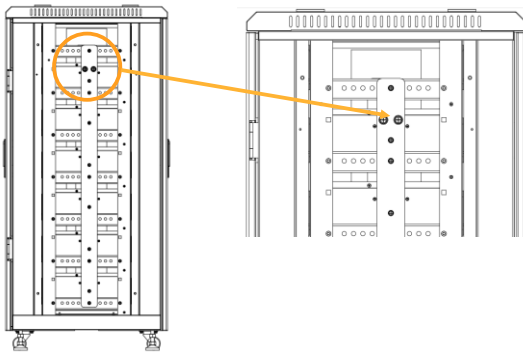
### Remove the enclosures



Hold down the two buttons on the side enclosure and remove the enclosure.

2

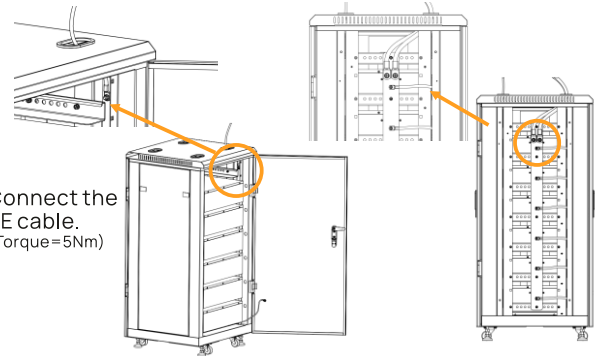
### Find the DC busbars



Find the DC busbars on both sides of the Cabinet after removing the side enclosures.

3

### Wire the busbars



Connect the PE cable. (Torque=5Nm)

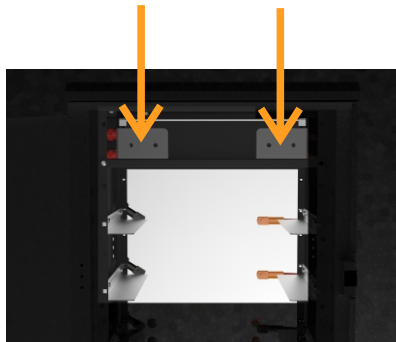
Wire the busbars through the covers on the top of the cabinet and tighten the screws. (Torque=15Nm)

**\*Select appropriate cables according to the power.**

4

## SIMPO Cabinet 10

### Find the DC busbars



Unscrew and remove the covering board (On top inside the cabinet) and find the two DC busbars.

1

### Wire the busbars



Connect the PE cable. (Torque=5Nm)

Wire the busbars through the covers on the top of the cabinet and tighten the screws. (Torque=20Nm)

**\*Select appropriate cables according to the power.**

2